

LIFTMOORE 1032 CRANE

10,000 FT.-LB. MOMENT RATING
3,200 LB. MAXIMUM CAPACITY

The Model 1032 all hydraulic crane is designed for extended duty applications. The 1032 comes with power rotation, power elevation and power extension as standard.

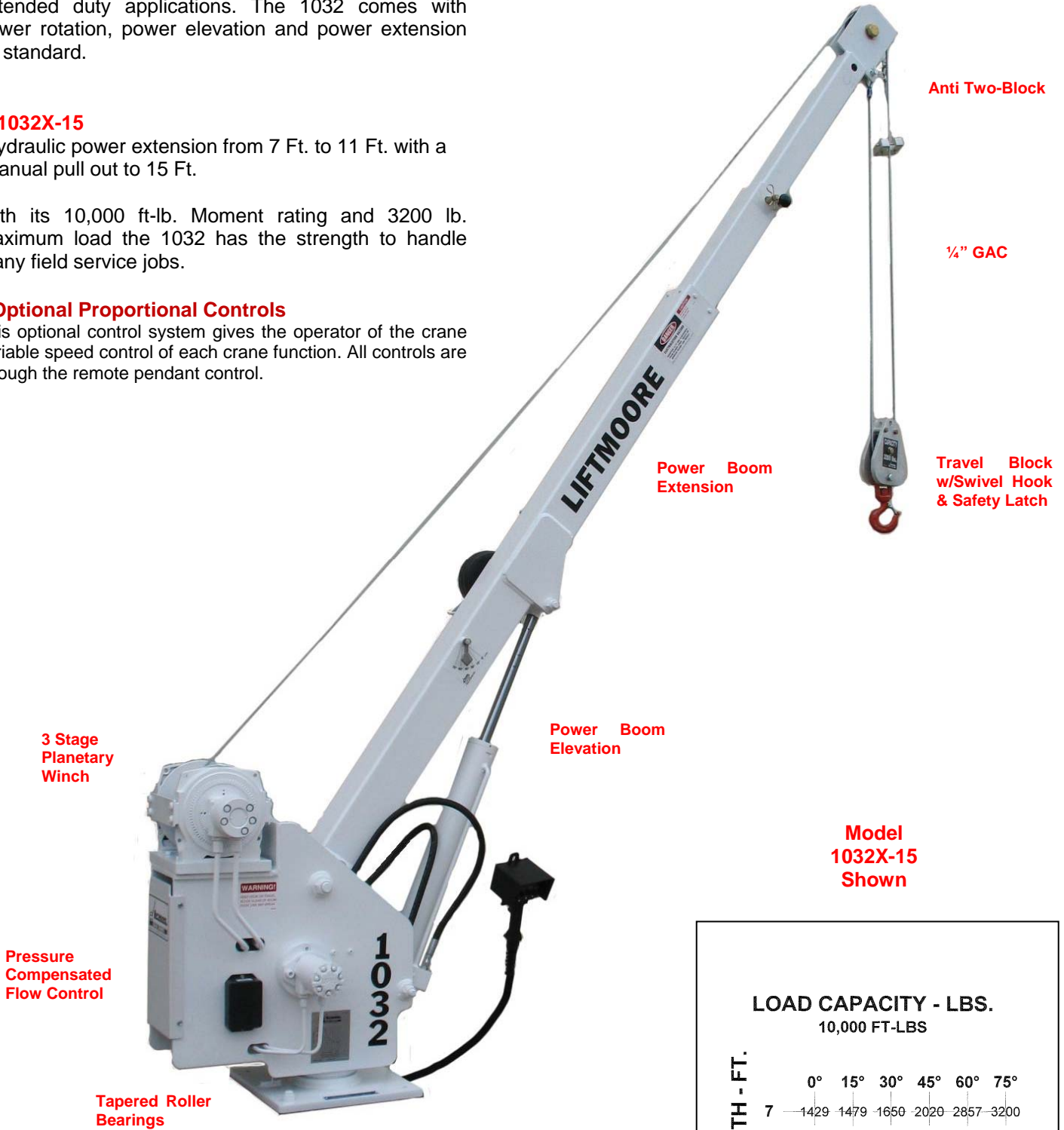
• **1032X-15**

Hydraulic power extension from 7 Ft. to 11 Ft. with a manual pull out to 15 Ft.

With its 10,000 ft-lb. Moment rating and 3200 lb. maximum load the 1032 has the strength to handle many field service jobs.

• **Optional Proportional Controls**

This optional control system gives the operator of the crane variable speed control of each crane function. All controls are through the remote pendant control.




Model 1032X-15 Shown

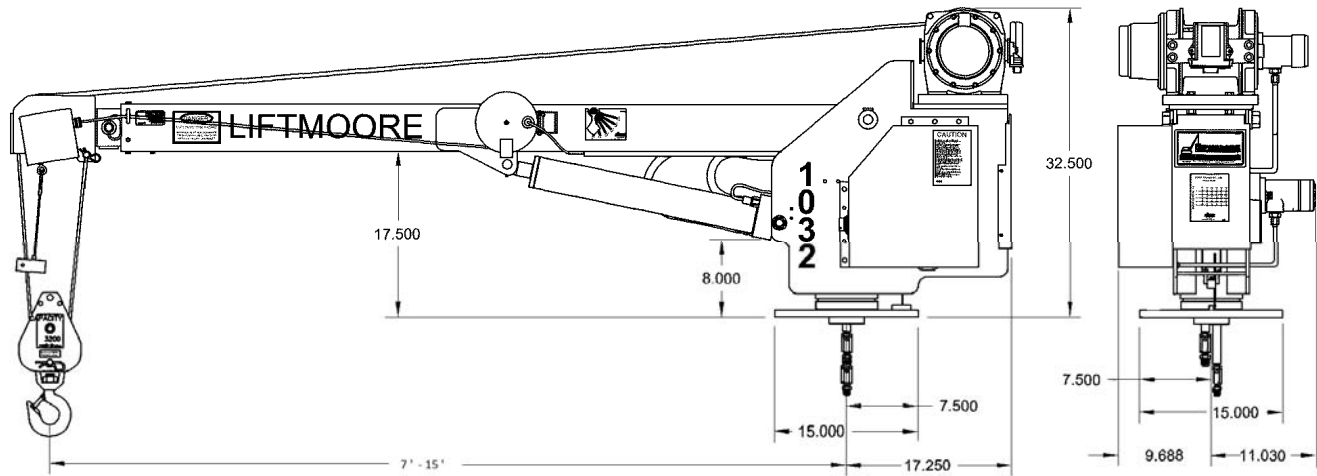


HOUSTON, TEXAS
 FAX: (800) 824-5559 (USA & Canada)
 FAX: (713) 688-6324
 PHONE: (713) 688-5533
 www.liftmoore.com

LOAD CAPACITY - LBS.		10,000 FT-LBS					
BOOM LENGTH - FT.	ANGLE						
	0°	15°	30°	45°	60°	75°	
7	1429	1479	1650	2020	2857	3200	
9	1111	1150	1283	1571	2222	3200	
11	909	941	1050	1286	1818	3200	
13	769	796	888	1088	1538	2972	
15	667	690	770	943	1333	2576	


 713-688-5533

1032 SPECIFICATIONS



MOMENT RATING:

10,000 Ft.-Lbs.

LIFT CAPACITIES:

* 3200 Lbs. @ 3 ft.	909 Lbs. @ 11 ft.
* 2500 Lbs. @ 5 ft.	769 Lbs. @ 13 ft.
1428 Lbs. @ 7 ft.	666 Lbs. @ 15 ft.
1111 Lbs. @ 9 ft.	

* Travel block & double line hookup for loads greater than 2000 Lbs.

HOIST WINCH:

The hoist winch is a planetary gear design with 2,000 lb. Capacity. The winch has a 21:1 gear ratio. The safety brake includes a one way clutch that releases on hoist up. The ratio between winch drum and wire rope diameters meet ANSI B30.5 requirements. The winch is powered by a low speed, high torque hydraulic motor. Line speed (single line) is 34 FPM at 5 GPM flow.

BOOM:

The boom is capable of moving from -5 to +75 Degrees. A double acting cylinder with an integral counterbalance valve elevates the boom. The counterbalance valve has two important functions, this valve holds the cylinder in the event of hose failure and it controls the rate of boom descent. In addition it will relieve excess pressure induced on the boom.

WIRE ROPE and SHEAVES:

62 Ft. of ¼ in. galvanized aircraft cable is supplied with a minimum breaking strength of 7000 lbs. The wire rope is outside of the boom and visible for operators continual inspection. A traveling block for easy two-part hookup is included. All sheaves meet ANSI requirements.

1032X-15:

The boom extends under power from 7 Ft. to 11 Ft. with a 4-Ft. manual pull out to 15 Ft.

HYDRAULIC SYSTEM:

This crane uses a pressure compensated flow control hydraulic system. A pilot operated differential sensing valve controls the flow rate to the rotation, elevation and extension functions. Excess flow is returned to tank at function pressure, not the relief pressure preventing excessive heat build up.

With the **optional** proportional flow control system the speed of each function can be varied between zero and full flow through a trigger switch in the pendant control.

Fluid supply requirements are 6 GPM maximum flow @ 2500 PSI maximum pressure.

ROTATION SYSTEM:

A worm gear set driven by a low speed, high torque hydraulic motor powers the crane's rotation function. The 1032 Crane rotates on two 3.75" ID tapered roller bearings. 375-degree rotation is standard.

REMOTE PENDANT CONTROL:

An 18-Ft. long remote pendant is provided for control of each powered function. The Pendant control is removable from the crane to prevent unauthorized use of the crane.

LOAD SENSOR:

A load-limiting sensor is installed in the elevation cylinder. This sensor will shut down hoist up, boom out & boom down when an overload is detected. The sensor will reset after the load is lowered.

ANTI TWO BLOCK:

The anti two-block is standard on this crane and prevents extending the boom against the travel block and breaking the cable.

ELECTRICAL:

The 1032 Crane's powered functions are all controlled by 12V. D.C. electric solenoid valves. 25 ft of 10-gauge wire and a 15-amp fuse are included.

MOUNTING: A minimum 11,000 Lb. GVWR recommended.

Four 0.5" X 2.5" long Grade 8 hex head cap screws and lock nuts are provided. Mounting plate is 15" square with a 12" square bolt pattern.

OUTRIGGERS:

An outrigger is needed for stability requirements of OSHA 1910.180. The outrigger is necessary to reduce the load on the crane's rotation system and the truck's suspension.



HOUSTON, TEXAS
 FAX: (800) 824-5559 (USA & Canada)
 FAX: (713) 688-6324
 PHONE: (713) 688-5533
 www.liftmoore.com